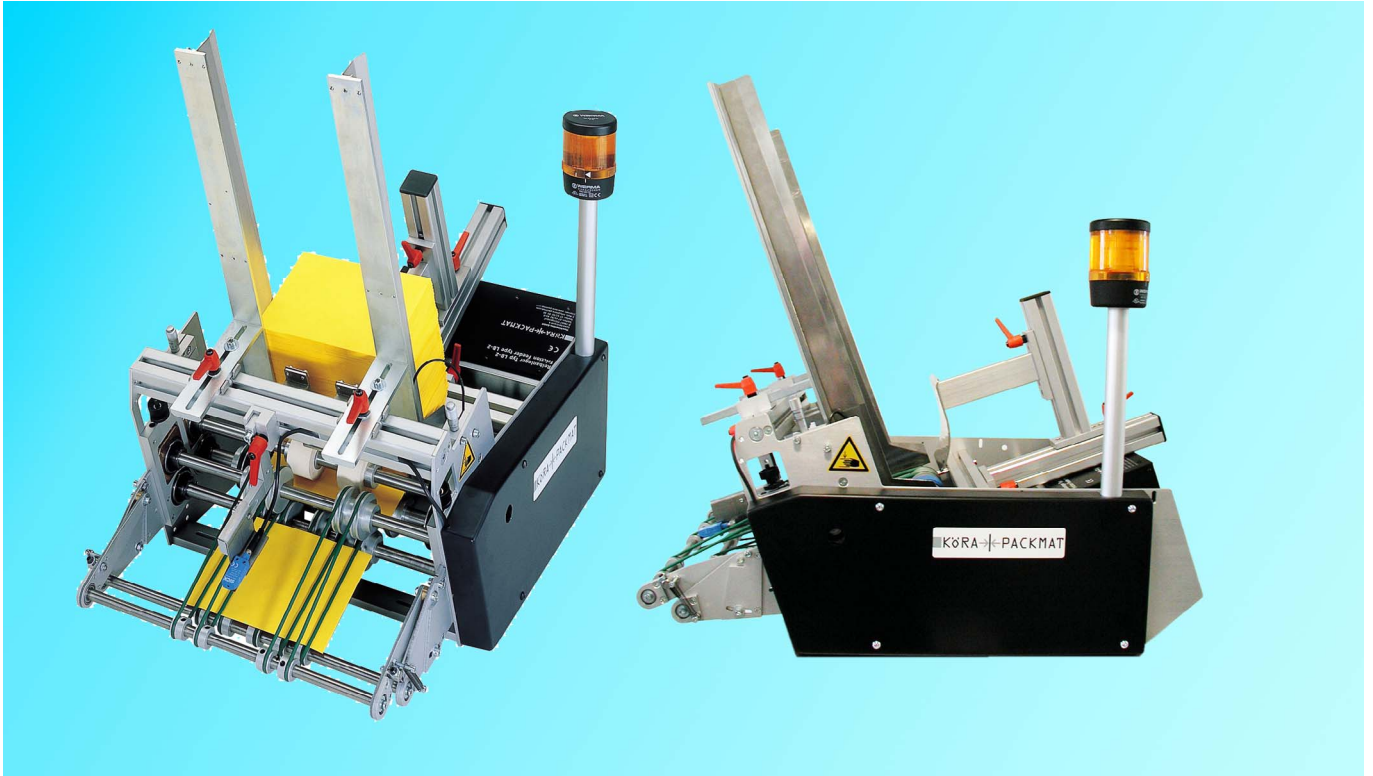


# Friction feeder LB2

Product feeder for paper processing and wrapping machines



## Design and characteristic features:

- Feeding width 250 mm standard
- Single or multi product feeding
- Exact air gap adjustment via micrometer screws
- Contra-rotating separating roll
- Light barrier for exact product position
- Product run-time monitoring for missing sheet detection
- Product magazine for loading is easily accessible
- Individually adjustable and tiltable stacking shoe
- Min. stack monitoring in the magazine
- Tiltable extended outfeed 150 mm
- Infinitely adjustable feeding speed
- Drive actuated via DC servo-motors

## Microprocessor control:

- PLC interface, 15 poles
- Operator guidance and status indication by 2-line LC display
- Preselection for piece number with NOM/ACT comparison
- Continuous mode operation selectable
- Function test for self-diagnosis
- Fault message indication by way of signal lamp and display
- Preselection of the start pulse (high/low)
- Adjustment of the product length for double sheet detection
- Adjustable product stop position
- Follow-up time of the blast air signal adjustable from 0 to 300 ms
- Operator language selectable in German, English and French
- Electric and electronic plug-type connections

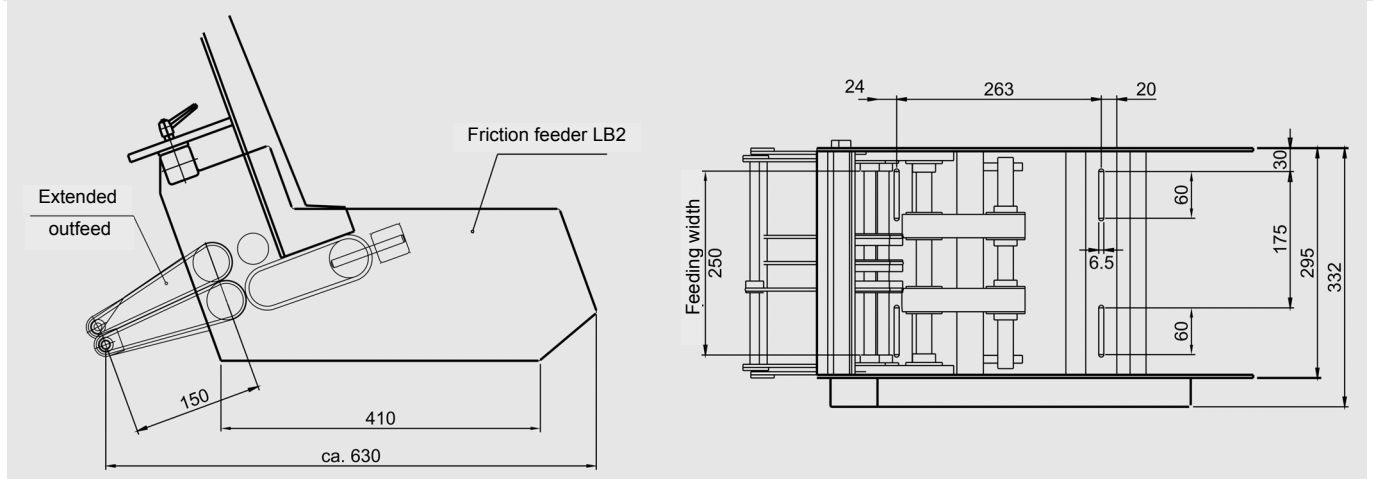
## Options:

- Tacho-generator control for external synchronization of the conveyor speed
- Parameter setting via external PLC (number of pieces, start signal, etc.)



Technical data:		
	LB2 with feeding width 250 Art.-No. LB-2000250	LB2 with feeding width 300 Art.-No. LB-2000300
Formats (special formats possible)	Format range 1: min. 60 x 40 mm, max. 300 x 250	Format range 2: min. 60 x 40 mm, max. 300 x 300
Belt speed/ feeding performance (continuous mode / indexed), depending on the format:	Max. 150 m/min. / up to a maximum of 1200 products/min. (continuously) / up to a maximum of 600 products/min (indexed)	Max. 150 m/min. / up to a maximum of 1200 products/min. (continuously) / up to a maximum of 600 products/min (indexed)
Product throughput:	Min. 0,01 mm, Max. 12 mm	Min. 0,01 mm, Max. 12 mm
Magazine loading: (depending on the product)	Standard 580 mm, Option 800 mm / 1.000 mm	Standard 580 mm, Option 800 mm / 1.000 mm
Drive:	DC servo-motors, infinitely controllable	DC servo-motors, infinitely controllable
Control:	Microprocessor control, PLC interface, functions for no. of pieces, continuous mode, self-diagnosis, fault message etc.	Microprocessor control, PLC interface, functions for no. of pieces, continuous mode, self-diagnosis, fault message etc.
Supply voltage: Power input	230 V / 50 Hz, 300 VA	230 V / 50 Hz, 300 VA
Compressed-air connection	6 bar dry, oil-free air, connection ¼ "	6 bar dry, oil-free air, connection ¼ "
Dimensions (W x D x H) / Weight:	650 x 332 x 740 mm (extended outfeed 150 mm, standard stack height)/ approx. 36 kg, depending on the design	650 x 381 x 740 mm (extended outfeed 150 mm, standard stack height)/ approx. 36 kg, depending on the design

## Dimensions for standard model, feeding width 250 mm:



## Options:

<b>Extended outfeed.</b>	<ul style="list-style-type: none"> <li>Length up to 500 mm, inclination up to 90°</li> <li>Variants with flat belts, suction conveyor, adjustable lateral guidings, blast air nozzle and stop and positioning unit</li> </ul>	<b>Magazine loading</b>	
<b>Air gap increase:</b>	<ul style="list-style-type: none"> <li>From 0 to 10 mm / to a maximum of 30 mm</li> </ul>	<b>Stream feeder band:</b>	<ul style="list-style-type: none"> <li>1.000 mm to 3.000 mm, optionally 2 or 4 vertical magazine guides</li> </ul>
<b>Feeding widths:</b>	<ul style="list-style-type: none"> <li>250 to 600 mm, special formats possible</li> </ul>	<b>Multi-magazine:</b>	<ul style="list-style-type: none"> <li>With 5 guides, incl. change magazine for chip cards (85 + 55 mm) and control</li> </ul>
<b>Extended support</b>	<ul style="list-style-type: none"> <li>Up to a maximum of 500 mm, special dimensions upon request</li> </ul>	<b>Stacking tray:</b>	<ul style="list-style-type: none"> <li>For different formats</li> </ul>
<b>Double sheet detector:</b>	<ul style="list-style-type: none"> <li>Mechanical / electrical or optional:</li> <li>With optics /sensors or ultrasonics</li> </ul>	<b>Start light barrier:</b>	<ul style="list-style-type: none"> <li>For external start pulse</li> </ul>
<b>Suction module for friction belt:</b>	<ul style="list-style-type: none"> <li>With vacuum pump or multiejector</li> </ul>	<b>Level control:</b>	<ul style="list-style-type: none"> <li>In the Stack magazine</li> </ul>
<b>Intermediate belt:</b>	<ul style="list-style-type: none"> <li>For products with a maximum feeding length of 60 mm</li> </ul>	<b>Additional indicator lamp</b>	
<b>Buffer rake:</b>	<ul style="list-style-type: none"> <li>With automatic control, blast air and safety switch,</li> <li>without automatic control</li> </ul>	<b>Base:</b>	<ul style="list-style-type: none"> <li>Movable and vertically adjustable +/- 50 mm,</li> <li>Movable with spindle adjustment +/- 200 mm</li> </ul>
<b>Tacho-generator control:</b>	<ul style="list-style-type: none"> <li>FW 520T, for signal 0 to 10 V</li> </ul>	<b>Positioning unit:</b>	<ul style="list-style-type: none"> <li>With servo-axle, control, format max. DIN A5, stop tiltable and pressure roll</li> <li>Incl. feeding tray, with upper conveyor and pressure roll, automatic drive and control (DIN A6-A5)</li> </ul>

Subject to technical modifications